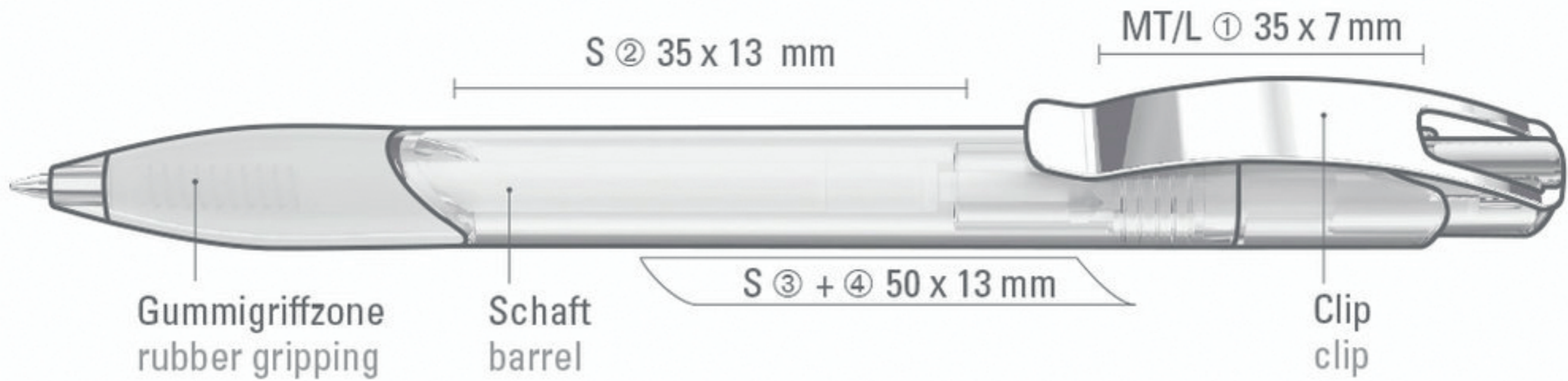


0-0531 TM 



S ② 35 x 13 mm

MT/L ① 35 x 7 mm

Gummigriffzone  
rubber gripping

Schaft  
barrel

S ③ + ④ 50 x 13 mm

Clip  
clip